

Description

- High common mode impedance at high frequency effects excellent noise suppression performance.
- Operating temperature: -25°C~+85°C.
- RoHS compliant

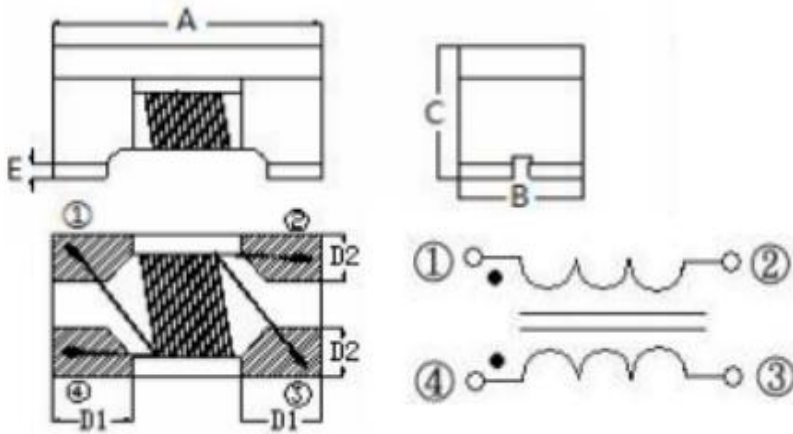


Product Identification

GCM 2520 xxx 2P T
① ② ③ ④ ⑤

- ① Series name
- ② Shapes and Dimensions
- ③ Inductance Value
- ④ 2-Line Common Mode Filter
- ⑤ Taping and Reel

Dimensions-mm



Series	A	B	C	D1	D2	E
GCM2520	2.5±0.2	2.0±0.2	1.2±0.2	0.60Typ	0.45Typ	0.2±0.1

Electrical Characteristics

Part Number	Z(Ω)	DCR (mΩ)	I _{rms} (mA)	Rated Voltage	Insulation Resistance
	Common Mode			V _{dc} (V)Typical	IR (MΩ)Min.
	Impedance				
	at 100MHz,0.3V				
GCM2520-301-2P-T	300.0	200.0	400.0	50.0	10.0
GCM2520-451-2P-T	450.0	300.0	350.0	50.0	10.0
GCM2520-601-2P-T	600.0	380.0	330.0	50.0	10.0
GCM2520-102-2P-T	1000.0	500.0	240.0	50.0	10.0

Notes:

1. All test data is referenced to 25 °C ambient
2. The part temperature (ambient + temp rise) should not exceed 125 °C under worst case operating conditions. Circuit design, component placement, PWB trace size and thickness, airflow and other cooling provisions all affect the part temperature. Part temperature should be verified in the end application.