

# CD288H Series(1)



- High frequency, low impedance
- Endurance: 3000 hours at 105°C
- Applicable to chargers, adaptors and small home appliances
- Sleeve color: Gold Print in Jasper Sleeve

## Series Features :

Item	Characteristics									
Operating Temperature Range(°C)	- 40~+ 105									
Voltage Range(V)	6.3 ~ 100									
capacitance Range(µF)	0.47-15000									
Capacitance Tolerance (20°C,120HZ)	±20%									
Leakage current(µ A) (20°C)	1≤0.01CV or 3µ A, Whichever Whichever is greater(after 2 minutes)									
	C:Nominal Capacitance(µF)					V:Rated Voltage(V)				
Stability at low Temperature (Impedance Ratio at 120Hz)	R.v.(v)	6.3	10	16	25	35	50	63	100	
	Tan δ	0.22	0.19	0.16	0.14	0.12	0.10	0.08	0.08	
When nominal capacitance exceeds 1,000µF,add 0.02 to the value above for each 1,000µF increase										
Stability at low Temperature (Impedance Ratio at 120Hz)	R.V.(V)	6.3	10	16	25~50	63~100				
	Z-25°C/Z+20°C	4	3	3	3	2				
	Z-40°C/Z+20°C	8	6	4	3	3				
Load Life (+ 105°C 3000h)	The following specification shall be satisfied when the capacitors are restored to 20°C after subjected to DC Voltage with the rated ripple current is applied for 3000h at 105°C.									
	Capacitance Change					Within ±20% of the initial measured Value.				
	Dissipation Factor					≤200% of the initial specified Value				
	Leakage current					≤The initial specified value				
Shelf Life (+ 105°C 1000h)	The following specification shall be satisfied when the capacitors are restored to 20°C after exposingthem for1000h at 105°C without Voltage applied.									
	Capacitance Change					Within ±20% of the initial measured Value.				
	Dissipation Factor					≤200% of the initial specified Value				
	Leakage current					≤200% of the initial specified Value				

## Frequency Coefficient

Cap.(µF) \ Freq.(HZ)	50(60)	120	400	1K	10K	50K-100K
CAP≤10	0.47	0.59	0.76	0.85	0.97	1.0
10 < CAP≤100	0.52	0.65	0.80	0.89	0.97	1.0
100 < CAP≤1000	0.58	0.72	0.84	0.90	0.98	1.0
1000 < CAP	0.63	0.78	0.87	0.91	0.98	1.0

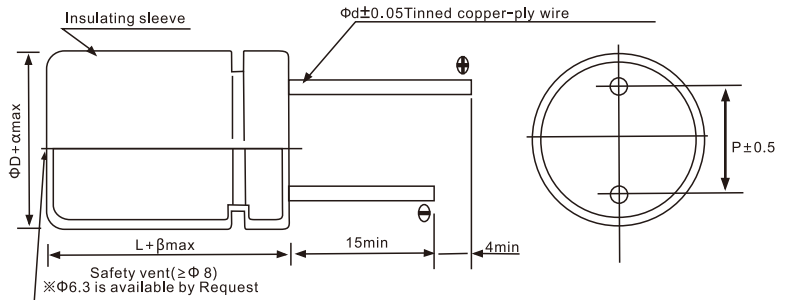
## Temperature Coefficieng

Temperature (°C)	40	60	70	85	105
Factor	2.4	2.1	1.78	1.65	1

# CD288H Series(1)

## Dimensions (mm)

ΦD	5	6.3	8	10	13	16	18	20	22
P	2.0	2.5	3.5	5.0	5.0	7.5	7.5	10	10
Φd	0.5	0.5	0.5	0.6	0.6	0.8	0.8	0.8	0.8
β	1.0			2.0					
α	0.5								



## Ratings

R.V.(V)	6.3			10			16		
parameter Cap.(μF)	Φ D×L (mm)	Impedaance Ω20°C 100KHZ	Ripple Current (mArms)	Φ D×L (mm)	Impedaance Ω20°C 100KHZ	Ripple Current (mArms)	Φ D×L (mm)	Impedaance Ω20°C 100KHZ	Ripple Current (mArms)
10							5×11	3.000	74
22				5×11	3.000	96	5×11	2.000	101
33				5×11	2.100	100	5×11	1.800	112
47	5X11	2.100	111	5×11	1.900	148	5×11	1.400	149
56							5×11	1.200	171
68	5X11	1.900	133	5×11	1.740	169	5×11	0.930	192
100	5×11	1.700	167	5×11	1.300	205	6.3×11	0.850	255
120	5×11	1.600	170	6.3×11	1.200	245	6.3×11	0.080	262
150	6.3×11	1.100	217	6.3×11	0.900	281	6.3×11	0.660	280
180	6.3×11	1.000	228				8×12	0.060	352
220	6.3×11	0.920	302	6.3×11	0.590	330	8×12	0.500	462
270	6.3×11	0.860	323				8×12	0.480	494
330	8×12	0.700	378	8×12	0.330	442	8×12	0.410	562
470	8×12	0.520	433	8×12	0.330	555	10×13	0.300	717
560	8×12	0.500	473	8×12	0.280	523	10×13	0.260	749
680	8×12	0.380	529	10×13	0.100	730	10×16	0.160	1050
820	8×16	0.320	597	10×16	0.100	852	10×16	0.150	1127
1000	8×16	0.200	713	10×16	0.100	995	10×20	0.120	1289
1200	10×16	0.180	822	10×16	0.090	1148	10×25	0.090	1430
1500	10×16	0.150	1051	10×20	0.080	1337	10×30	0.070	1525
1800	10×20	0.130	1195	10×25	0.080	1478	10×25	0.070	1644
2200	10×20	0.110	1318	13×21	0.080	1670	13×25	0.070	1908
2700	10×25	0.090	1416	13×21	0.070	1805	13×25	0.060	2328
3300	13×20	0.090	1575	13×25	0.070	1905	13×30	0.060	2508
4700	13×25	0.070	1805	16×25	0.060	2003	16×32	0.050	2742
5600	13×30	0.070	2052	16×25	0.060	1995	16×36	0.050	2841
6800	16×25	0.070	2239	16×32	0.050	2523	18×40	0.050	3048
8200	16×32	0.060	2430	16×40	0.050	2639	18×40	0.040	3161
10000	16×40	0.050	2571	18×40	0.040	2714	18×40	0.040	3378
15000	18×40	0.050	2809						

↑ Ripple Current (mArms)at 105°C 100KHZ



# CD288H Series(1)

Ratings									
R.V.(V)	25			35			50		
parameter Cap.(μF)	Φ D×L (mm)	Impedaance Ω20°C 100KHZ	Ripple Current (mArms)	Φ D×L (mm)	Impedaance Ω20°C 100KHZ	Ripple Current (mArms)	Φ D×L (mm)	Impedaance Ω20°C 100KHZ	Ripple Current (mArms)
0.47							5×11	6.000	24
1							5×11	5.000	38
2.2							5×11	4.000	52
3.3							5×11	3.500	57
4.7	5×11	4.000	65	5×11	3.500	81	5×11	3.000	86
5.6	5×11	3.500	71	5×11	3.000	87	5×11	2.600	100
6.8	5×11	3.000	83	5×11	2.800	97	5×11	2.200	111
10	5×11	2.500	86	5×11	2.100	105	5×11	2.200	120
15	5×11	2.100	116	5×11	1.800	135	5×11	1.700	135
22	5×11	1.900	124	5×11	1.500	150	6.3×11	1.300	148
33	5×11	1.600	152	5×11	1.300	177	6.3×11	0.800	242
47	5×11	1.300	185	6.3×11	0.900	274	6.3×11	0.710	281
56	6.3×11	1.100	238	6.3×11	0.800	295	8×12	0.710	295
68	6.3×11	0.820	272	8×12	0.710	338	8×12	0.710	361
100	6.3×11	0.710	357	8×12	0.500	433	10×13	0.400	462
120	6.3×11	0.630	370	8×12	0.430	485	10×13	0.380	504
150	8×12	0.500	397	8×12	0.330	518	10×13	0.350	566
180	8×12	0.460	432	10×13	0.300	618	10×16	0.300	817
220	8×12	0.380	530	10×13	0.270	718	10×16	0.250	889
270	10×13	0.350	684	10×16	0.260	865	10×20	0.180	1007
330	10×13	0.290	785	10×16	0.250	1005	10×25	0.103	1098
470	10×16	0.260	1146	10×20	0.200	1148	13×21	0.090	1517
560	10×16	0.200	1195	10×25	0.150	1433	13×21	0.080	1659
680	10×20	0.100	1262	13×20	0.070	1497	13×25	0.070	1839
820	10×20	0.080	1335	13×20	0.070	1620	13×30	0.068	2003
1000	13×20	0.070	1574	13×25	0.070	1810	16×25	0.065	2190
1200	13×25	0.060	1887	13×30	0.060	2030	16×32	0.065	2437
1500	13×25	0.060	2104	16×25	0.060	2161	16×40	0.060	2617
1800	16×25	0.060	2390	16×32	0.060	2571	16×40	0.050	2713
2200	16×25	0.060	2437	16×32	0.050	2646	18×40	0.050	2893
2700	16×25	0.050	2679	16×36	0.050	2708	18×40	0.045	2917
3300	16×32	0.050	3083	18×40	0.040	2951	18×40	0.040	2953
4700	16×40	0.050	3473	18×40	0.040	3333			
6800	18×40	0.050	3663						

↑  
Ripple Current (mArms)at 105°C 100KHZ

# CD288H Series(1)

Ratings						
R.V.(V)	63			100		
parameter Cap.(μF)	Φ D×L (mm)	Impedaance Ω20°C 100KHZ	Ripple Current (mArms)	D×L (mm)	Impedaance Ω20°C 100KHZ	Ripple Current (mArms)
0.47	5×11	12.000	24	5×11	10.000	20
1	5×11	9.000	33	5×11	7.000	29
2.2	5×11	8.000	43	5×11	6.000	40
3.3	5×11	6.000	55	5×11	5.000	52
4.7	5×11	4.000	62	5×11	4.000	68
5.6	5×11	3.500	90	5×11	3.000	95
6.8	5×11	3.000	95	6.3×11	2.300	114
10	5×11	2.500	110	6.3×11	1.200	124
22	6.3×11	1.200	177	8×12	0.660	209
33	8×12	1.200	264	10×13	0.500	304
47	8×12	0.560	293	10×13	0.320	352
56	8×12	0.530	314	10×13	0.180	380
68	10×13	0.520	462	10×16	0.170	447
100	10×16	0.500	584	10×25	0.160	540
120	10×16	0.480	595	10×25	0.130	627
150	10×16	0.420	673	13×21	0.120	741
180	10×20	0.300	760	13×21	0.100	779
220	10×20	0.270	879	13×25	0.090	910
270	13×21	0.220	1093	13×30	0.090	1064
330	13×21	0.160	1193	16×25	0.090	1373
470	13×25	0.140	1544	16×32	0.060	1572
560	13×25	0.120	1602	16×40	0.060	1639
680	13×30	0.100	1858	18×40	0.060	1706
820	16×25	0.080	2048	18×40	0.051	1753
1000	16×32	0.060	2240	18×40	0.051	1839
1200	16×40	0.050	2428			
1500	18×40	0.040	2579			
1800	18×40	0.040	2855			

↑  
Ripple Current (mArms)at 105°C 100KHZ



# 东莞市创慧电子有限公司 DONGGUAN CHUANGHUI ELECTRONICS CO.,LTD

## 9. 包装说明 Packing instructions:

**9.1 先用塑料袋包装，然后再放置于包装箱中，具体包装数量请参照《创慧包装标准》** Pack with plastic bags, and then placed in a carton, please refer to 《Packing Standard》 for specific packing quantity.

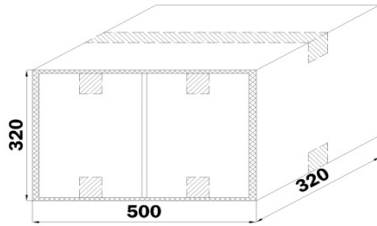
**9.2 包装标识：采用中性标签，注明客户名、订单号、料号、产品系列、规格、尺寸、数量、生产日期和生产批号** Label Marking: indicate customer name, purchase number, part number, product series, specifications, size, quantity, production date and lot number, shown as below.

## 9.3 包装图示 Packing Figure

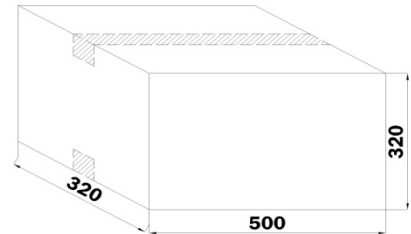
a) 标签 Label

<b>CH</b>		
订单号 P.O	创慧	CH221102053
料号 P/N	CETW-181A-000	
系列 series	CD288H	墨绿底金字   PET
规格 Spec	400V180uF	±20%
尺寸 Size	D18X25L	长脚
数量 Qty	50PCS	

b) 内箱 Inner Carton



c) 外箱 Outer Carton



## 10. 料号编码规则 Material number encoding rules :

<b>CD26LF1</b>	<b>2T</b>	<b>M</b>	<b>181</b>	<b>N45</b>	<b>0</b>	<b>I</b>
①系列 Series	②电压 Voltage	③容差 Capacitance Tolerance	④容量 Capacitance	⑤尺寸 Size	⑥成型 Finishing	⑦胶管 Sleeve

①系列 Series	CD110	CD288H	CD288L	CD26G	CD26M	CD26L	CD110L	NP	LL
	CD288S	CD26K	CD26C	CD293	CD294	CD296	CD133	CD134	CD136

②电压 V	4	6.3	10	16	25	35	50	63	80	100	120	140	160	180	200	250	315	350	400	420	450	460	500	550
代号 Code	OG	OJ	1A	1C	1E	1V	1H	1J	1K	2A	2B	2S	2C	2Z	2D	2E	2F	2V	2G	2J	2W	2T	2H	2L

③容差代码 code	J	K	M	W	T	Q	P
容差 C.T.	±5%	±10%	±20%	-0% ~ +20%	-10% ~ +20%	-20% ~ +30%	-15% ~ +20%

④容量 Cap.	0.1	0.22	0.3	0.47	1	2	3.3	4.7	6.8	10	22	33	47	68	100	220	330	3300	...
编码 Code	R10	R22	R33	R47	10	2R2	3R3	4R7	6R8	100	220	330	470	680	101	221	331	332	...

⑤尺寸														
直径 D	4	5	6	8	10	12.5	13	16	18	20	22	25	30	35
编码 Code	C	D	E	F	G	H	K	L	M	N	O	P	Q	R
高度 H	5	7	11	12	13	16	18	20	27	25	30	35	45	
编码 Code	5	7	11	12	13	16	18	20	27	25	30	35	45	

⑥成型 Finishing	散装 Bulk	编带 Taping P=5.0	编带 Taping P=2.5	剪脚 Cut Lead L=3.5	K脚剪脚 L=4.5	S脚剪脚 L=4.5	卧式 H01=4.0	卧式 H02=4.0	贴片 SMD
编码 Code	0	TP5	TP25	C35	K45	S45	H140	H240	S

⑦胶管 Sleeve	PVC	PET
编码 Code	C	T