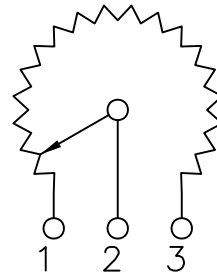
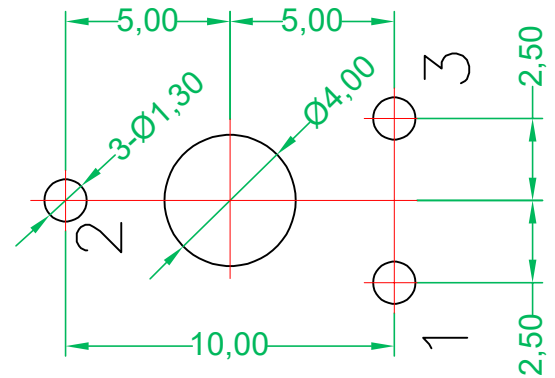


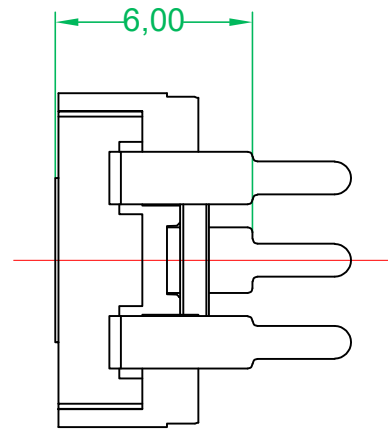
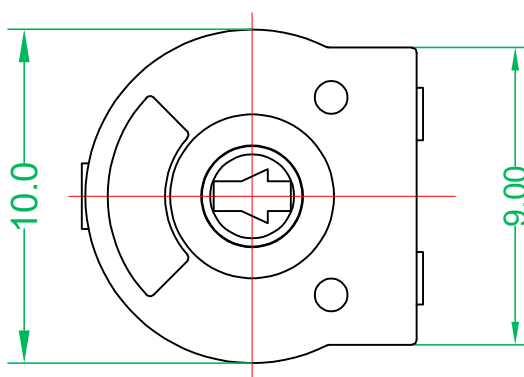
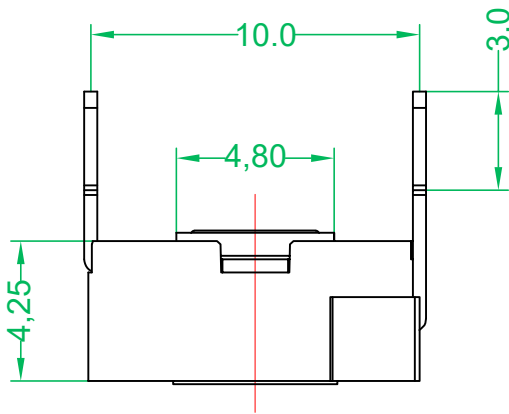
0.90 ± 0.05



CIRCUIT



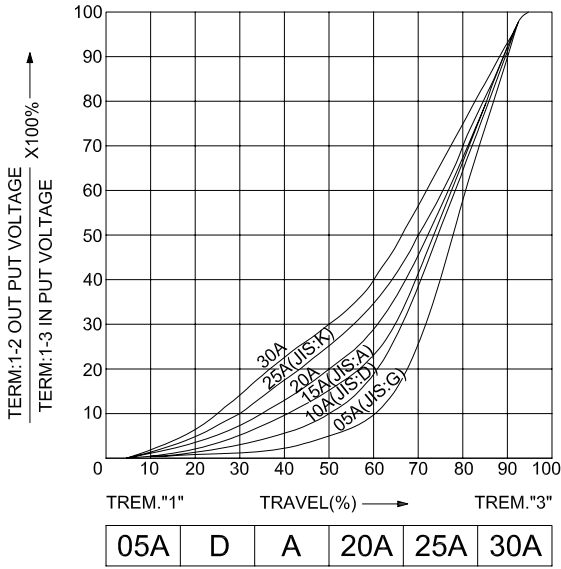
PC板固定孔圖
P.C.B. MOUNTING HOLE DETAIL



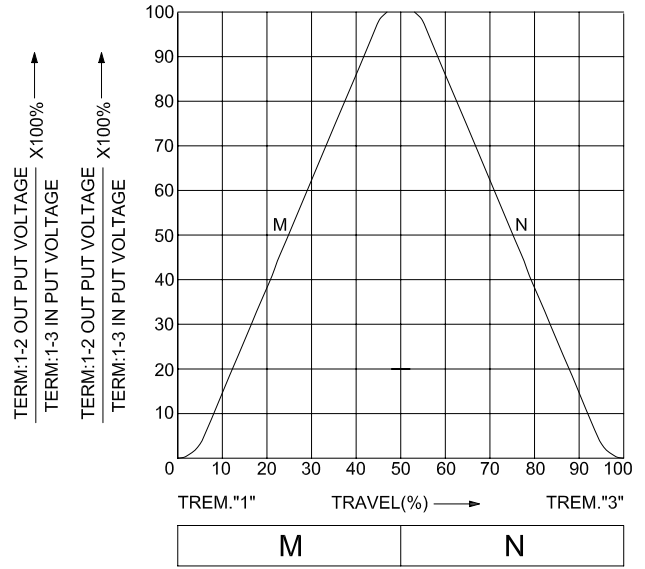
				公差					
				X.X	±0.3				
				X.XX	±0.1				
				X.XXX	±0.05				
				X.X°	±2°				
				X.XX°	±1°				
				比例	fit	材质		制图	吕文锋
				视图	第三视角法	处理	黑色	校对	
				单位	mm	品名	PT10卧式-箭头形	核准	
△	日期	更改记事		单位	mm	型号	PT10-L-V	日期	2024-05-20

STANDARD RESISTANCE TAPER 電阻曲綫圖

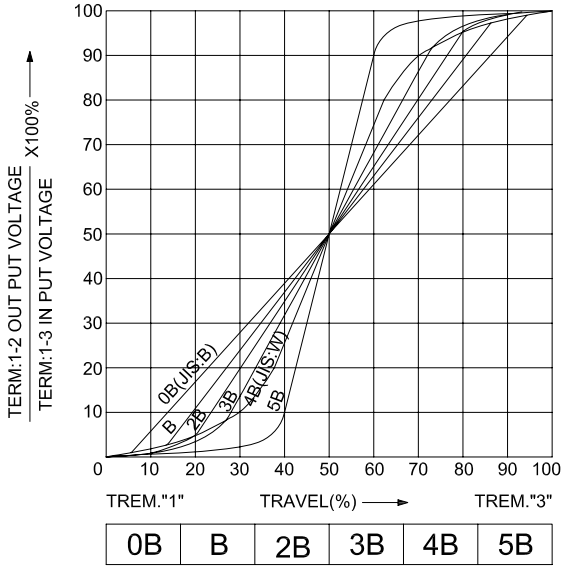
TAPERS (A) SERIES



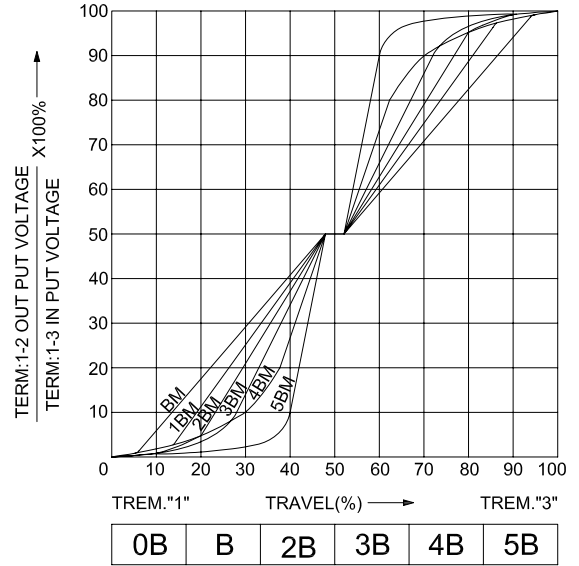
TAPERS (M & N)



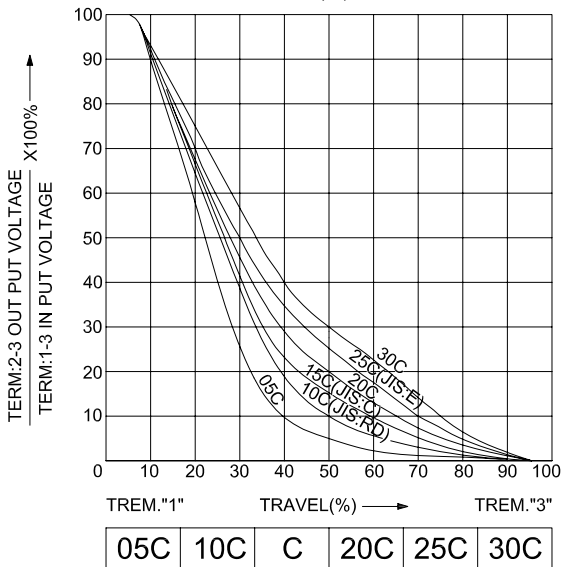
TAPERS (B) SERIES



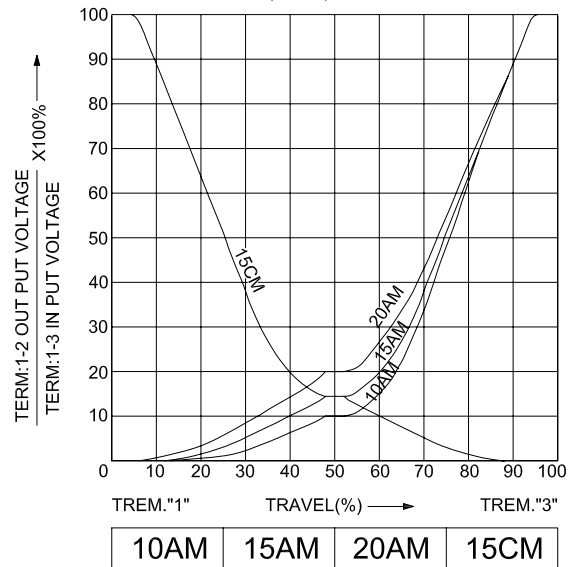
TAPERS (B) WITH 50% TAP



TAPERS (C) SERIES



TAPERS (A&C) WITH 50% TAP



ABBREVIATION OF NOMINAL TOTAL RESISTANCE
阻值簡碼表

TOTAL RESISTANCE VALUE 總阻值	MARKING 代碼	TOTAL RESISTANCE VALUE 總阻值	MARKING 代碼
□ 100Ω	101	□ 20KΩ	203
□ 200Ω	201	□ 22KΩ	223
□ 300Ω	301	□ 30KΩ	303
□ 500Ω	501	□ 47KΩ	473
□ 1KΩ	102	□ 50KΩ	503
□ 2KΩ	202	□ 100KΩ	104
□ 3KΩ	302	□ 200KΩ	204
□ 5KΩ	502	□ 250KΩ	254
□ 10KΩ	103	□ 300KΩ	304
		□ 500KΩ	504
		□ 1MΩ	105
		□ 2MΩ	205

PRECAUTIONS 使用注意事項

「慎用化学药品 Use of chemicals」

由于電位器以使用多碳酸鹽類的合成樹脂為主，故應避免與以下化學品接觸：如氨水，其他胺類，鹽水溶液，芳香族碳氫化合物，酮類和鹽素族的碳氫化合物。

Synthetic resins such as polycarbonate are used in potentiometer. avoid exposing the resistor to chemicals such as ammonia, amins, alkali solution, aromatic hydrocarbon, ketons, esters, halogenous hydrocarbons, etc.

「慎用助焊剂 Use of flux」

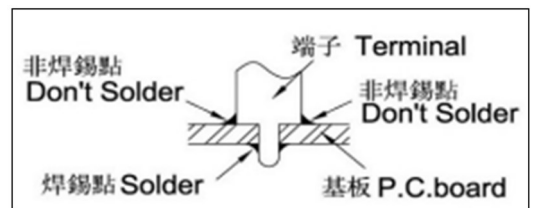
焊錫時應避免使用水溶性助焊劑，否則將會對構成電位器的金屬和其他材料產生不良影響。

When soldering. Avoid using water-soluble flux. Other-wise, it might cause and adverse effect on molding material and metal.

「加锡法 Soldering」

在印刷電路板表面進行布綫或焊接時，請避免焊接液流出，否則容易引起接觸不良。

Avoid employing wiring designs and soldering methods in which molten solder flows over the upper surface of PC board, as illustrated in the schematic drawing. This can cause occurrences of imperfect contacts.

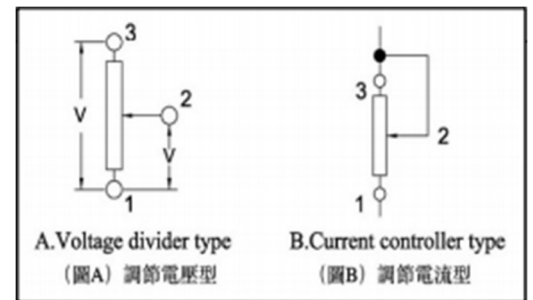


「推薦使用電路方式 Recommended circuit configuration」

使用可變電阻器（電位器）時，建議如圖A所示通過調節電壓來改變電阻大小。如圖B那樣用調節電流來改變電阻大小时，由于設計電路的不同，有可能會受到電阻體和接觸簧片之間動觸點電流的影響，所以請在實際使用時進行確認。

when using variable resistors, It is recommended that you use them as voltage adjusting means, as shown in Fig. A. If the variable resistor is used as a current adjusting means as in Fig. B, it may be influenced by

the contact resistance between the resistor body and the slide, depending on the set circuit. conducting a test under actual operating conditions is highly recommended.



「殘留電阻 Residual Resistance」

一般來說，電阻體的電極部通過銀印刷而形成的，但為了提高對硫化的可靠性，在銀電極部覆蓋了防硫化膜。對終端電阻有要求時，請與我們聯系。

Although electric poles of resistors are generally formed by silver printing, we provide carbon coating over the silver poles to enhance reliability against sulfurization. contact us if you wish to use the part in a low residual resistance state.

「避免結露 Dew condensation」

請避免電位器在電阻體表面等發生了結露或附有水滴的條件下使用，否則會造成絕緣能力降低或短路。

Avoid using the potentiometer where dew or water drops might occur on the surface of the resistor, etc. Deterioration of insulation or shorting may occur.

「低溫工作 operation at Low Temperature」

當產品是用于低溫環境時，如寒帶的汽車收音機或汽車音響等，本公司按客戶要求提供手感舒適產品，請定貨時加以說明。

when these products are expected to be used under low temperature environments such as applications for car radios or car stereos, we can customize them for easier and more smooth rotary movements. when placing orders, indicate whether the low temperature specification is necessary.