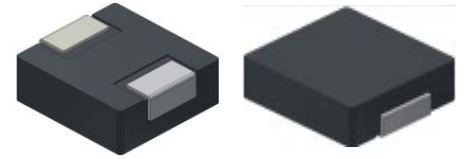


# MMPC0503H Series

## High Current Molded Power Inductors

### FEATURES

- Carbonyl Powder.
- Compact design
- High current, low DCR, high efficiency.
- Frequency range up to 5MHz
- Very low acoustic noise and very low leakage flux noise.
- Operate temperature range ....  $-40^{\circ}\text{C} \sim +125^{\circ}\text{C}$  (Including self temp. rise)
- RoHS compliant



### APPLICATIONS

Note PC power system,incl. IMVP-6 DC/DC converter .

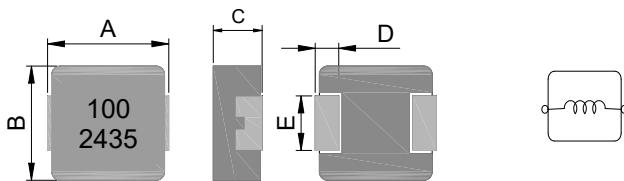
### Part Numbering

MMPC 0503 H -1R0 M T

1 2 3 4 5 6

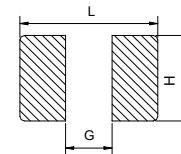
- 1:Product Series:Carbonyl Molding Power Inductor
- 2:Dimensions:
- 3:Control S/N :
- 4: Initial inductance value: 1R0 = 1.0uH
- 5:Tolerance of Inductance: K= $\pm 10\%$ , L= $\pm 15\%$ , M= $\pm 20\%$ , N= $\pm 25\%$ , Y= $\pm 30\%$
- 6:Packing:Tape Carrier Package

### Dimensions (mm)



A	B	C	D	E
5.7 $\pm$ 0.3	5.2 $\pm$ 0.2	2.8 $\pm$ 0.2	1.1 $\pm$ 0.3	1.5 $\pm$ 0.3

### Recommend PC Board Pattern



L	G	H
6.2	2.2	2.8

Note: 1.PCB layout is referred to standard IPC-7351B  
 2. The above PCB layout reference only.  
 3. Recommend solder paste thickness at 0.12mm and above.

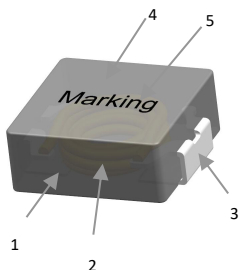
## Electrical Properties:

Part Number	Inductance (uH) ± 20%	I rms (A)	I sat (A)	DCR (mΩ)	
		Typ	Typ	Typ	Max
MMPC0503H-R10YT	0.10±30%	23.0	27.0	2.50	3.00
MMPC0503H-R15YT	0.15±30%	18.0	30.0	2.30	2.70
MMPC0503H-R22MT	0.22	15.5	21.0	3.70	4.40
MMPC0503H-R33MT	0.33	14.0	18.0	4.30	5.00
MMPC0503H-R47MT	0.47	12.0	16.0	6.40	7.40
MMPC0503H-R56MT	0.56	10.0	15.0	8.00	10.0
MMPC0503H-R68MT	0.68	8.50	14.0	10.0	12.0
MMPC0503H-R82MT	0.82	8.00	12.5	11.5	13.0
MMPC0503H-1R0MT	1.00	7.00	11.0	13.0	14.0
MMPC0503H-1R5MT	1.50	6.00	10.0	16.0	25.0
MMPC0503H-2R2MT	2.20	5.50	9.00	25.0	35.0
MMPC0503H-3R3MT	3.30	5.00	8.00	32.0	38.0
MMPC0503H-4R7MT	4.70	4.60	6.00	50.0	53.0
MMPC0503H-5R6MT	5.60	4.25	4.50	55.0	63.0
MMPC0503H-6R8MT	6.80	4.00	4.30	68.0	76.2
MMPC0503H-100MT	10.0	2.75	3.50	110	128
MMPC0503H-150MT	15.0	2.10	2.60	165	190
MMPC0503H-220MT	22.0	1.90	1.70	220	250
MMPC0503H-330MT	33.0	1.60	1.60	380	440

**Note:**

1. Test frequency : L : 100KHz / 1.0V.
2. All test data referenced to 25°C ambient.
3. Testing Instrument : L/Q: HP4284A,CH11025,CH3302,CH1320 ,CH1320S LCR METER / Rdc:CH16502,Agilent33420A MICRO OHMMETER.
4. Heat Rated Current (I rms) will cause the coil temperature rise approximately Δt of 40°C (keep 1min.).
5. Saturation Current (Isat) will cause L0 to drop approximately 30%
6. The part temperature (ambient + temp rise) should not exceed 125°C under worst case operating conditions.Circuit design,component,PCB trace size and thickness,airflow and other cooling provisions all affect the part temperature. Part temperature should be verified in the end application.
7. I rms Testing : Temperature rise is highly dependent on many factors including pcb land pattern, trace size, and proximity to other components. Therefore temperature rise should be verified in application conditions.
8. Rated DC current: The lower value of I rms and Isat

## Material List



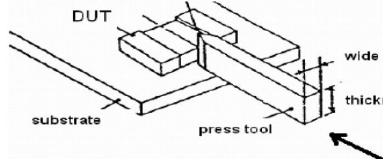
NO	Items	Materials
1	Core	Carbonyl Powder.
2	Wire	Polyester Wire or equivalent.
3	Clip	100% Pb free solder(Ni+Sn---Plating)
4	paint	Epoxy resin
5	Ink	Halogen-free ketone

## Reliability and Test Condition

Item	Performance	Test Condition
Operating temperature	-40~+125°C (Including self - temperature rise)	
Storage temperature	1. -10~+40°C ,50~60%RH (Product without taping) 2. -40~+125°C (on board)	
<b>Electrical Performance Test</b>		
Inductance	Refer to standard electrical characteristics list.	HP4284A,CH11025,CH3302,CH1320,CH1320S LCR Meter.
DCR		CH16502,Agilent33420A Micro-Ohm Meter.
Saturation Current (Isat)	Approximately $\Delta$ L30%.	Saturation DC Current (Isat) will cause L0 to drop $\Delta$ L(%)
Heat Rated Current (Irms)	Approximately $\Delta$ T40°C	Heat Rated Current (Irms) will cause the coil temperature rise $\Delta$ T(°C). 1.Applied the allowed DC current 2.Temperature measured by digital surface thermometer
<b>Reliability Test</b>		
Life Test	Appearance : No damage. Inductance : within $\pm$ 10% of initial value Q : Shall not exceed the specification value. RDC : within $\pm$ 15% of initial value and shall not exceed the specification value	Preconditioning: Run through IR reflow for 3times. ( IPC/JEDECJ-STD-020E Classification Reflow Profiles) Temperature : 125 $\pm$ 2°C (Inductor + ambient + temp rise) Applied current : rated current Duration : 1000 $\pm$ 12hrs Measured at room temperature after placing for 24 $\pm$ 2 hrs.
Load Humidity		Preconditioning: Run through IR reflow for 3times. ( IPC/JEDECJ-STD-020E Classification Reflow Profiles) Humidity : 85 $\pm$ 2% R.H. Temperature : 85 $\pm$ 2°C Duration : 1000hrs Min. Bead:with 100% rated current, Inductance : with 100% rated current Measured at room temperature after placing for 24 $\pm$ 2 hrs.
Moisture Resistance		Preconditioning: Run through IR reflow for 3 times. ( IPC/JEDECJ-STD-020E Classification Reflow Profiles) 1. Baked at50°C for 25hrs, measured at room temperature after placing for 4 hrs. 2. Raise temperature to 65 $\pm$ 2°C 90-100%RH in 2.5hrs, and keep 3 hours, cool down to 25°C in 2.5hrs. 3. Raise temperature to 65 $\pm$ 2°C 90-100%RH in 2.5hrs, and keep 3 hours, cool down to 25°C in 2.5hrs,keep at 25°C for 2 hrs then keep at -10°C for 3 hrs 4. Keep at 25°C 80-100%RH for 15min and vibrate at the frequency of 10 to 55 Hz to 10 Hz, measure at room temperature after placing for 1~2 hrs.
Thermal shock		Preconditioning: Run through IR reflow for 3 times. ( IPC/JEDECJ-STD-020E Classification Reflow Profiles) Condition for 1 cycle Step1 : -40 $\pm$ 2°C 30 $\pm$ 5min Step2 : 125 $\pm$ 2°C $\leq$ 0.5min Step3 : 125 $\pm$ 2°C 30 $\pm$ 5minNumber of cycles : 500 Measured at room temperature after placing for 24 $\pm$ 2 hrs.
Vibration		Preconditioning: Run through IR reflow for 3 times. ( IPC/JEDECJ-STD-020E Classification Reflow Profiles) Oscillation Frequency: 10Hz~2KHz~10Hz for 20 minutes Equipment: Vibration checker Total Amplitude: 10g Testing Time : 12 hours(20 minutes, 12 cycles each of 3 orientations).
Bending		Shall be mounted on a FR4 substrate of the following dimensions: $\geq$ 0805 inch(2012mm):40x100x1.2mm <0805 inch(2012mm):40x100x0.8mm Bending depth: $\geq$ 0805 inch(2012mm):1.2mm <0805 inch(2012mm):0.8mm duration of 10 sec.
Shock		Inductance : within $\pm$ 10% of initial value Q : Shall not exceed the specification value. RDC : within $\pm$ 15% of initial value and shall not exceed the specification value

Type	Peak value (g's)	Normal duration (D) (ms)	Wave form	Velocity change (Vi)ft/sec
SMD	50	11	Half-sine	11.3
Lead	50	11	Half-sine	11.3

3 shocks in each direction along 3 perpendicular axes(18 shocks).

Item	Performance	Test Condition								
Solderability	More than 95% of the terminal electrode should be covered with solder.	a. Method B1, 4 hrs @155°C dry heat @255°C±5°C Test time: 5 +0/-0.5 seconds.  b. Method D category 3. (steam aging 8hours ± 15 min)@ 260°C±5°C Test time: 30 +0/-0.5 seconds.								
Resistance to Soldering Heat		Depth: completely cover the termination <table border="1"> <thead> <tr> <th>Temperature(°C)</th> <th>Time(s)</th> <th>Temperature ramp/immersion and emersion rate</th> <th>Number of heat cycles</th> </tr> </thead> <tbody> <tr> <td>260 ±5 (solder temp)</td> <td>10 ±1</td> <td>25mm/s ±6 mm/s</td> <td>1</td> </tr> </tbody> </table>	Temperature(°C)	Time(s)	Temperature ramp/immersion and emersion rate	Number of heat cycles	260 ±5 (solder temp)	10 ±1	25mm/s ±6 mm/s	1
Temperature(°C)	Time(s)	Temperature ramp/immersion and emersion rate	Number of heat cycles							
260 ±5 (solder temp)	10 ±1	25mm/s ±6 mm/s	1							
Terminal Strength	Appearance : No damage. Inductance : within±10% of initial value Q : Shall not exceed the specification value.  RDC : within ±15% of initial value and shall not exceed the specification value e	Preconditioning: Run through IR reflow for 3 times.( IPC/JEDEC J-STD-020E Classification Reflow Profiles With the component mounted on a PCB with the device to be tested, apply a force (>0.805inch(20.12mm):1kg, ≤0.805inch(20.12mm):0.5kg) to the side of a device being tested. This force shall be applied for 60 +1 seconds. Also the force shall be applied gradually as not to apply a shock to the component being tested.  								

Note : When there are questions concerning measurement result : measurement shall be made after 48 ± 2 hours of recovery under the standard condition.

## Soldering and Mounting

### (1) Soldering

Mildly activated rosin fluxes are preferred. The minimum amount of solder can lead to damage from the stresses caused by the difference in coefficients of expansion between solder, chip and substrate. Metal-lion terminations are suitable for re-flow soldering systems. If hand soldering cannot be avoided, the preferred technique is the utilization of hot air soldering tools.

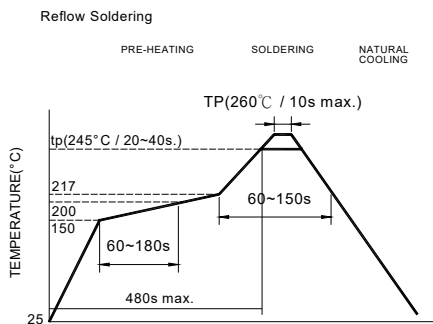
### (2) Solder re-flow:

Recommended temperature profiles for re-flow soldering in Figure 1.

### (3) Soldering Iron:

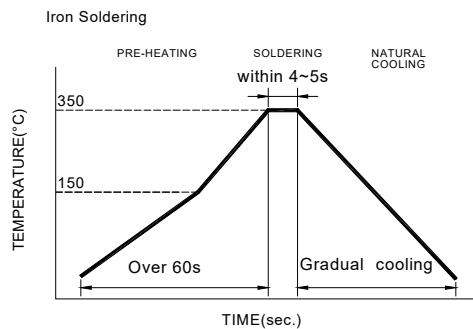
Products attachment with a soldering iron is discouraged due to the inherent process control limitations. In the event that a soldering iron must be employed the following precautions are recommended.

- Preheat circuit and products to 150°C
- Never contact the ceramic with the iron tip
- Use a 20 watt soldering iron with tip diameter of 1.0mm
- 355°C tip temperature (max)
- 1.0mm tip diameter (max)
- Limit soldering time to 4~5sec.



Reflow times: 3 times max.

Fig.1

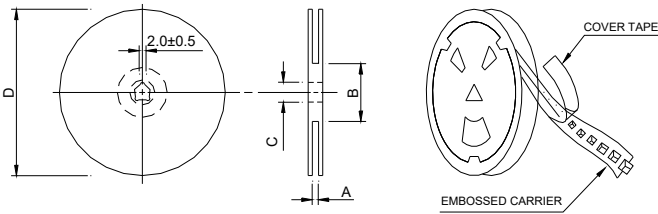


Iron Soldering times: 1 times max.

Fig.2

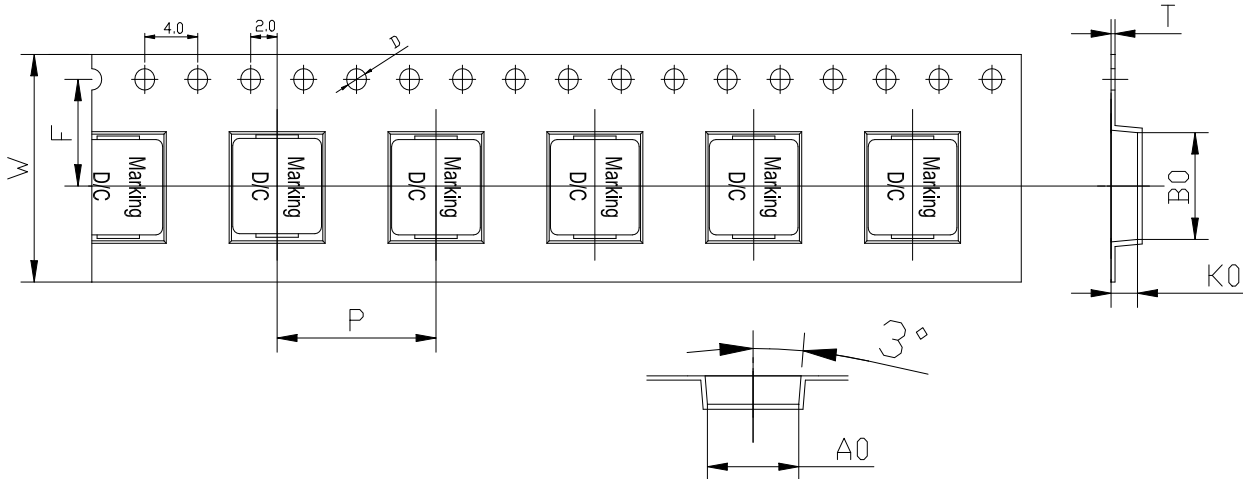
## Packaging Information

### (1) Reel Dimension



Type	A(mm)	B(mm)	C(mm)	D(mm)
13"x12mm	12.4+2/-0	100±2	13+0.5/-0.2	330

### (2) Tape Dimension

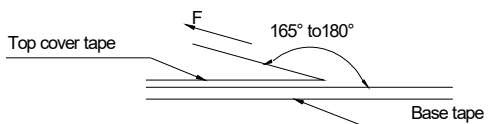


B0	A0	K0	P	W	F	T	D
6.2±0.1	5.5±0.1	3.3±0.1	8.0±0.1	12.0±0.3	5.5±0.1	0.35±0.05	1.5±0.1

### (3) Packaging Quantity

MMPC	0503H
Chip / Reel	2000

### (4) Tearing Off Force



The force for tearing off cover tape is 10 to 130 grams in the arrow direction under the following conditions (referenced ANSI/EIA-481-C-2003 of 4.11 standard).

Room Temp. (°C)	Room Humidity (%)	Room atm (hPa)	Tearing Speed mm/min
5~35	45~85	860~1060	300

#### Application Notice

- Storage Conditions (component level)
  - To maintain the solderability of terminal electrodes:
    1. Metal-lions products meet IPC/JEDEC J-STD-020D standard-MSL, level 1.
    2. Temperature and humidity conditions: Less than 40°C and 60% RH.
    3. Recommended products should be used within 12 months from the time of delivery.
    4. The packaging material should be kept where no chlorine or sulfur exists in the air.
- Transportation
  1. Products should be handled with care to avoid damage or contamination from perspiration and skin oils.
  2. The use of tweezers or vacuum pick up is strongly recommended for individual components.
  3. Bulk handling should ensure that abrasion and mechanical shock are minimized.