



产品规格承认书

客户名称:

品名: 圆片瓷介电容器

型号规格: CT81 103M 1KV (Y5V)

产品编码: CT81Y5V1KV103M7040EC

客户料号:

承认书编号: CX-CT81-240606-01

发行日期: 2025-5-20

东莞市成希电子有限公司			客户承认		
拟订	审核	核准	承认	审核	核准
傅映霞 2025-5-20	李丹 2025-5-20	刘愿新 2025-5-20			



瓷介电容器

Ceramic Capacitors

□用途

该产品主要用于彩电、计算机显示器、复印机、节能灯等的电源电路、行输出电路等部分。

□Application

Using for H-out and supply circuits of color TV and monitor、copy machine、inverter lighting.

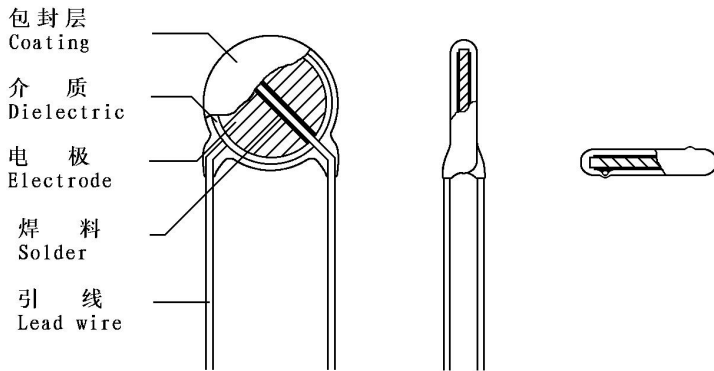
□外观及结构(Appearance and Structure)

品名 CODE NO.	D±0.5 (mm)	T±0.5(mm)	F (mm)	d (mm)	外观结构 STYLE
CT81-1KV-Y5V-103M	7.5	2.5	7.5	0.6	

□标识方法(Marking)

	① 公司代号 Manufacturer's Code
	② 温度特性 Temperature Characteristic
	③ 额定电压 Rated Voltage
	④ 标称容量 Rated Capacitance
	⑤ 容量偏差 Tolerance of Capacitance

□结构 (Structure)



包封层 (Coating) : 环氧树脂 (Epoxy Resin)

介 质 (Dielectric): 陶 瓷 (Ceramic)

电 极 (Electrode) : 银 (Silver)

焊 料 (Solder) : 锡 (Alloy Tin)

引 线 (Lead Wire) : 镀锡引出线 (Lead)

□主要材料 (Main Material)

SrCO₃ BaCO₃ TiO₂ Bi₂O₃ CaCO₃ Nb₂O₅ MgO
银膏 (Silver paste) 环氧树脂 (Epoxy Resin)

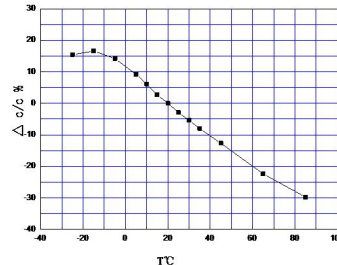
□室内条件 (Room Condition)

温度 (Temp.): 15~35℃ 湿度 (R.H.): 45~75%
气压 (Atm pressure): 86~106kPa (860~1060mbar)

□测试条件 (Test Condition)

温度 (Temp.): 25±2℃ 湿度 (R.H.): 50~60%
电压 (Vol.): 1.0±0.2Vrms 频率 (Freq.): 1±0.2KHz

□容量—温度变化曲线 Cap.—Temp. Curve



□型号命名方法 Part Code Designation

CT81 — 15KV — Y5T — 101 K

① ② ③ ④ ⑤

①种类 Class

代码 Code	种类 Class
CT81	II类高压 Class II High-Voltage

④标称容量 Rated Capacitance

代码 Code	静电容量 Capacitance
101K	100pF

②额 定 电 压

Rated Voltage

代码 Code	额定电压 Rated Vol.	代码 Code	额定电压 Rated Vol.
15KV	15000V.DC		

--	--	--	--

③温度特性 Temperature Characteristic

⑤ 容量允差 Tolerance

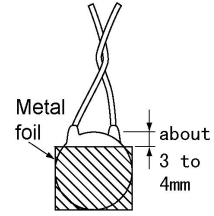
代码 Code	容量变化 Cap. Change
Y5T	+22% -33%

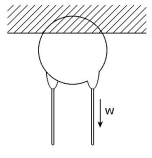
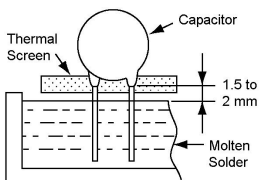
代码 Code	容量允差 Tolerance
	+10%

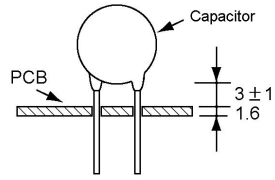
□规格及试验方法 Specification and Test Method

项 目 ITEM	规 格 SPECIFICATION	试 验 方 法 及 条 件 TEST METHOD AND CONDITIO
1. 存储温度范围 Storage Temp. Range	-40℃~+ 85℃	
2. 使用温度范围 Operating Temp. Range	-25℃~+ 85℃	
3. 外观尺寸 Appearance and Dimension	外观无可见损伤 尺寸在规格内 Appearance has no marked defect. Dimensions shall be within specified tolerance.	外观用目视法观测 尺寸用游标卡尺测量 Appearance be watched on sight Dimension be measured by caliper
4. 标识 Mark	应清晰可见 Should be discerned easily.	用目视法观测 Be watched on sight
5. 静电容量 Capacitance	在规格范围内 Within specified tolerance	温度 Temp. 20±2℃ 电压 Vol. 1.0±0.2Vrms 频率 Freq. 1±0.1KHz
6. 损耗因数 Dissipation Factor	0.2%max	同上 Same condition as capacitance
7. 绝缘电阻 Insulation Resistance	大于 10,000MΩ 10,000MΩ min	500±50V. DC 的电压充电一分钟。 The insulation Resistance shall be measured with 500±50V. DC within 60±5 sec of charging.

8. 耐电压 Dielectric Strength	端子间 Between Lead Wires	无不良 No failure.	端子间施加 150%的额定电压一分钟。 (充放电电流≤50mA) Apply a DC voltage of 150% of the rated voltage for 1 min. (Charge/discharge current≤50mA)									
	端子与 外壳间 Body Insulation	无不良 No failure.	如图, 将电容器的引线连在一起, 主体外紧包一层金属箔, 边沿距引线 3-4mm, 在电容器引线和金属箔间施加 150%的额定电压一分钟。 (充放电电流≤50mA) The terminals of the capacitor shall be connected together, A metal foil shall be closely wrapped around the body of the capacitor to the distance of about 3-4 mm from each terminal, A voltage of 150% of the rated is applied between the capacitor lead wires and the metal balls for 1 min. (Charge/discharge current≤50mA)									
9. 温度特性 Temp. Char.	Ct-C3 C3	+22% -33%	静电容量测试须依下列顺序测试。 试验前: 电容器应放置在 85±2℃的温度下 1 小时, 然后在常温下恢复 24±2 小时后测试。 The capacitance measurement shall be made at each step specified as following. Capacitance change from the volume of step 1 shall not exceed the limit specified. pre-treatment: The capacitor shall be placed at 85±2℃ for 1 hour, then placed at room condition for 24±2 hours before initial measurement.									
			<table border="1"> <tr> <td>步骤(Step)</td> <td>①</td> <td>②</td> <td>③</td> <td>④</td> <td>⑤</td> </tr> <tr> <td>温度(Temp.)</td> <td>20±2℃</td> <td>-25±2℃</td> <td>20±2℃</td> <td>85±2℃</td> <td>20±2℃</td> </tr> </table>	步骤(Step)	①	②	③	④	⑤	温度(Temp.)	20±2℃	-25±2℃
步骤(Step)	①	②	③	④	⑤							
温度(Temp.)	20±2℃	-25±2℃	20±2℃	85±2℃	20±2℃							



项 目 ITEM	规 格 SPECIFICATION		试 验 方 法 及 条 件 TEST METHOD AND CONDITIO	
10. 端子强度 Strength of Lead Wires (c 式不做此 项 Type c none)	抗拉强度 Pull	导线不断裂 电容器不破损 Lead wire shall not cut off and capacitor shall not be damaged	把制品固定, 在端子引出方向施加负荷 10N 保持 10±1 秒。 Fix the body of the capacitor and apply a tensile weight gradually to each lead wire in the radial direction of capacitor up to 10N, and keep it for 10±1sec.	
	弯曲强度 Bending	shall not be damaged	在端子间施加 5N 负荷并弯曲 90°, 回复原后反向弯曲 90°, 每次弯曲时间为 2 至 3 秒, 连续 2 次。 Each lead wire shall be subjected to 5N weight and then a 90° bend, at the point of egress, in one direction return to original position, and then a 90° bend in the opposite direction at the rate of one bend in 2-3 s for 2times.	
11. 耐焊接热 Soldering Effect	外观 Appearance	无显著异常 No marked defect	将端子浸入温度为 260±5 °C 的熔锡内, 外保留 1.5-2.0mm 距离主体边缘, 并保持 5.0±0.5 秒。 试验前: 电容器应放置在 85±2℃的温度下 1 小时, 然后在常温下恢复 24±2 小时后测试。 试验后: 室内条件下恢复 24±2 小时。 The lead wires shall be immersed into the melted solder of 260±5 °C up to about 1.5 to 2.0 mm from the main body for 5.0±0.5 sec. Pre-treatment: The capacitor shall be placed at 85±2℃ for 1 hour, then placed at room condition for 24±2 hours before initial measurement. Post-treatment: Capacitor shall be stored for 24±2 hours at room condition.	
	容量变化 Capacitance Change	10%max		

12. 温度循环 Temp. Cycling	外观 Appearance	无显著异常 No marked defect	<p>将电容器放入高低温箱，按下列步骤循环 5 次。</p> <p>试验前：电容器应放置在 $85\pm 2^{\circ}\text{C}$ 的温度下 1 小时，然后在常温下恢复 24 ± 2 小时后测试。</p> <p>试验后：在室内条件下恢复 24 ± 2 小时测试。</p> <p>The capacitor shall be introduced into the test chamber, and shall be exposed to the temperature conditions as shown in table at 5 cycles.</p> <p>pre-treatment: The capacitor shall be placed at $85\pm 2^{\circ}\text{C}$ for 1 hour, then placed at room condition for 24 ± 2 hours before initial measurement.</p> <p>Post-treatment: Capacitor shall be stored for 24 ± 2 hours at room conditions.</p> <table border="1"> <tr> <td>步骤 (STEP)</td> <td>1</td> <td>2</td> <td>3</td> <td>4</td> </tr> <tr> <td>温度 (TEMP.)</td> <td>$-25\pm 3^{\circ}\text{C}$</td> <td>$20\pm 2^{\circ}\text{C}$</td> <td>$85\pm 3^{\circ}\text{C}$</td> <td>$20\pm 2^{\circ}\text{C}$</td> </tr> <tr> <td>时间 (TIME)</td> <td>$30\pm 3\text{min.}$</td> <td>3min. max</td> <td>$30\pm 3\text{min.}$</td> <td>3min. max</td> </tr> </table>	步骤 (STEP)	1	2	3	4	温度 (TEMP.)	$-25\pm 3^{\circ}\text{C}$	$20\pm 2^{\circ}\text{C}$	$85\pm 3^{\circ}\text{C}$	$20\pm 2^{\circ}\text{C}$	时间 (TIME)	$30\pm 3\text{min.}$	3min. max	$30\pm 3\text{min.}$	3min. max
	步骤 (STEP)	1		2	3	4												
温度 (TEMP.)	$-25\pm 3^{\circ}\text{C}$	$20\pm 2^{\circ}\text{C}$	$85\pm 3^{\circ}\text{C}$	$20\pm 2^{\circ}\text{C}$														
时间 (TIME)	$30\pm 3\text{min.}$	3min. max	$30\pm 3\text{min.}$	3min. max														
容量变化 Capacitance Change	10%max																	
13. 耐振性 Vibration Resistance	外观 Appearance	无显著异常 No marked defect	<p>电容器须焊锡固定好，固定点距电容器主体 $3\pm 1.0\text{mm}$，并经 $10\text{Hz}\rightarrow 500\text{Hz}$ 之振动频率，全振幅 1.5mm，振动时间为 6 小时，往 X、Y、Z 轴三个方向（各 2 小时）。</p> <p>试验前：电容器应放置在 $85\pm 2^{\circ}\text{C}$ 的温度下 1 小时，然后在常温下恢复 24 ± 2 小时后测试。</p> <p>试验后：在室内条件下恢复 24 ± 2 小时测试。</p> <p>The capacitor shall firmly be soldered to the supporting lead wires about $3\pm 1.0\text{mm}$ from the body of the capacitor and vibration which is 10 to 500Hz in the vibration frequency range, 1.5mm in total amplitude, for a total of 6 hours, 2 hours each in three mutually perpendicular directions.</p> <p>pre-treatment: The capacitor shall be placed at $85\pm 2^{\circ}\text{C}$ for 1 hour, then placed at room condition for 24 ± 2 hours before initial measurement.</p> <p>Post-treatment: Capacitor shall be stored for 24 ± 2 hours at room conditions.</p> 															
	容量变化 Capacitance Change	10%max																
14. 易焊性 Solder ability of lead wires	导线上沾锡面积大于 90%。 Lead wire shall be soldered with uniformly coated on the axial direction over 90% of the circumferential direction.	导线须浸入助焊剂后再浸入 $245\pm 5^{\circ}\text{C}$ 的熔锡内，距离主体 2.0~2.5mm，时间 2 ± 0.5 秒。 The lead wires of the capacitor shall be dipped into a alcohol solution of 25% wt rosin and then into molten solder of $245\pm 5^{\circ}\text{C}$ for 2 ± 0.5 sec. In both case the depth of dipping is up to about 2.0 to 2.5 mm from the root of the lead wires.																

项目 ITEM	规格 SPECIFICATION		试验方法及条件 TEST METHOD AND CONDITIO
15. 碰撞试验 Collision Resistance	外观 Appearance	无显著异常 No marked defect	<p>电容器须焊锡固定好，固定点距电容器主体 $3\pm 1.0\text{mm}$，并施加一加速度为 390m/s^2，脉冲时间为 6ms 的碰撞，次数为 4000 次。</p> <p>试验前：电容器应放置在 $85\pm 2^{\circ}\text{C}$ 的温度下 1 小时，然后在常温下恢复 24 ± 2 小时后测试。</p> <p>试验后：在室内条件下恢复 24 ± 2 小时测试。</p> <p>The capacitor shall firmly be soldered to the supporting lead wire about $3\pm 1.0\text{mm}$ from the body of the capacitor and a collision which is 390m/s^2 in the acceleration, 6ms in the pulse cycle for 4000 times.</p> <p>pre-treatment: The capacitor shall be placed at $85\pm 2^{\circ}\text{C}$ for 1 hour, then placed at room condition for 24 ± 2 hours before initial measurement.</p> <p>Post-treatment: Capacitor shall be stored for 24 ± 2 hours at room conditions.</p>
	容量变化 Capacitance Change	10%max	
16. 湿热循环 Humidity Cycling	外观 Appearance	无显著异常 No marked defect	<p>电容器在温度 $40\pm 2^{\circ}\text{C}$，湿度 $95\pm 3\%RH$ 下放置 8 小时，室温下放置 16 小时，循环 5 次。</p> <p>试验后：在室内条件下恢复 1 至 2 小时。</p> <p>Set the capacitor for 8 hours at $40\pm 2^{\circ}\text{C}$ in $95\pm 3\% RH$, then placed at room condition for 16</p>
	容量变化 Capacitance Change	10%max	

	损耗因数 D. F.	0.2%max	hours, circulating for 5 times. Post-treatment: The capacitor shall be stored for 1 to 2 hours at room condition.
	绝缘电阻 I. R.	大于 2500MΩ 2500MΩ min	
17. 耐湿性 Humidity (Under Steady State)	外观 Appearance	无显著异常 No marked defect	电容器在温度 40±2℃, 湿度 95±3%RH 下放置 500±12 小时。 试验前: 电容器应放置在 85±2℃ 的温度下 1 小时, 然后在常温下恢复 24±2 小时后测试。 试验后: 在室内条件下恢复 24±2 小时。 Set the capacitor for 500±12 hours at 40±2℃ in 95±3% RH. pre-treatment: The capacitor shall be placed at 85±2℃ for 1 hour, then placed at room condition for 24±2 hours before initial measurement. Post-treatment: The capacitor shall be stored for 24±2 hours at room condition.
	容量变化 Capacitance Change	±10%max	
	损耗因数 D. F.	0.2%max	
	绝缘电阻 I. R.	大于 2500MΩ 2500MΩ min	
18. 寿命试验 Life Test	外观 Appearance	无显著异常 No marked defect	施加 150% 的额定电压并在 85±2℃ 下放置 1000 小时。(充放电电流限于 50mA 以下) 试验前: 电容器应放置在 85±2℃ 的温度下 1 小时, 然后在常温下恢复 24±2 小时后测试。 试验后: 在室内条件下恢复 24±2 小时。 Apply a DC voltage of 150% of the rated voltage for 1000 hours at 85±2℃ . (Charge/discharge current ≤ 50mA). pre-treatment: The capacitor shall be placed at 85±2℃ for 1 hour, then placed at room condition for 24±2 hours before initial measurement. Post-treatment: Capacitor shall be stored for 24±2 hours at room condition
	容量变化 Capacitance Change	10%max	
	损耗因数 D. F.	0.2%max	
	绝缘电阻 I. R.	大于 4000MΩ 4000MΩ min	
19. 加压蒸煮 Pressure Cooking	外观 Appearance	无显著异常 No marked defect	电容器在温度 121±2℃, 2 个大气压下放置 4 小时。 试验前: 在 85±2℃ 放置 1 小时, 在室内条件下恢复 24±2 小时。 试验后: 在室内条件下恢复 24±2 小时。 Set the capacitor for 4 hours at 121±2℃ in 2 atmospheres. Pre-treatment: Capacitor shall be stored at 85±2℃ for 1 hour, then placed at room condition for 24±2H before initial measurements. Post-treatment: Capacitor shall be stored for 24±2 hours at room condition.
	绝缘电阻 I. R.	大于 1500MΩ 1500MΩ min	
	抗电强度 Dielectric Strength	按按第八条。 Per Item 8	

□包装 (packing)

1、包装数量 (packing quantity) :

成型方式 Molding mode	袋装数量 Quantity per bag	塑料袋分类 Kinds of plastic bag	备注 Remark
b	500	2号袋	

注明 :

1号袋尺寸: 215×190mm; 2号袋 尺寸: 190×190mm; 3号袋尺寸: 170×160mm。

2、包装标识 (packing marking) :

示例(Example)	项 目(Item)	
<p>CERAMIC DISC CAPACITORS CAP. 100 PF TOL. +10% WV. 15KV T.C. Y5T QUANTITY: PCS LOT. NO. DATE. TEC RoHS Q.A. PASS</p>	DGCX	公司商标 (Manufacturer's Marking)
	物料编码 Code	用户要求时 When the customer require
	规格型号 Model	详见如上表格, (Please see the detail in the upper sheet)
	生产批号 Product lots	生产批号 Product lots
	生产日期 Productive date	产品生产时间 the produce time of the product
	数 量 Quantity	每袋的包装数量 the packing quantity per plastic bag

3、外包装 (over-wrap packing) :

内包装箱 (internal packing boxes) (A1:360×200×140mm、A2:198×177×138mm)

外包装箱 (over-wrap boxes) (B1:460×380×220mm、B2:425×380×170mm)

装箱数量应为 100、500 的整数倍。(The packing quantity should be integral multiple of one-hundred or five-hundred.)