

## Ring common mode inductors



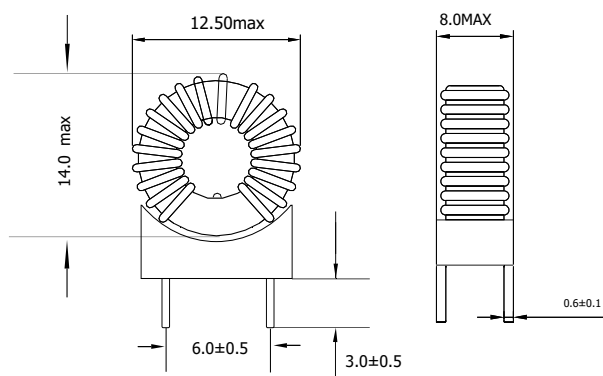
Core:T19X5X3-C Spray black

Copper wire:2UEW-0.6mm

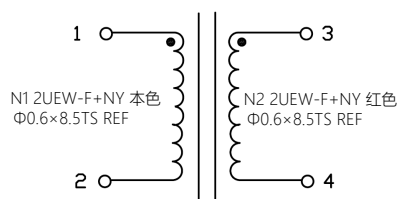


Part Number	Electrical Specifications @25°C				
	Core	Inductance (10KHZ/0.3) (uH Min)	DCR MAX(MΩ)	Turns	Withstand Voltage PIN1,2 TO PIN3,4 3S 2mA 60HZ Max(V)
103062300055	T9X5X3	47	15	0.60mmx8.5Ts	500

### MECHANICAL



### SCHEMATICS



### Packaging material requirements

1. Carton and bubble wrap
2. The foam thickness is 6mm thicker than the pin length  
(Prevent component deformation)